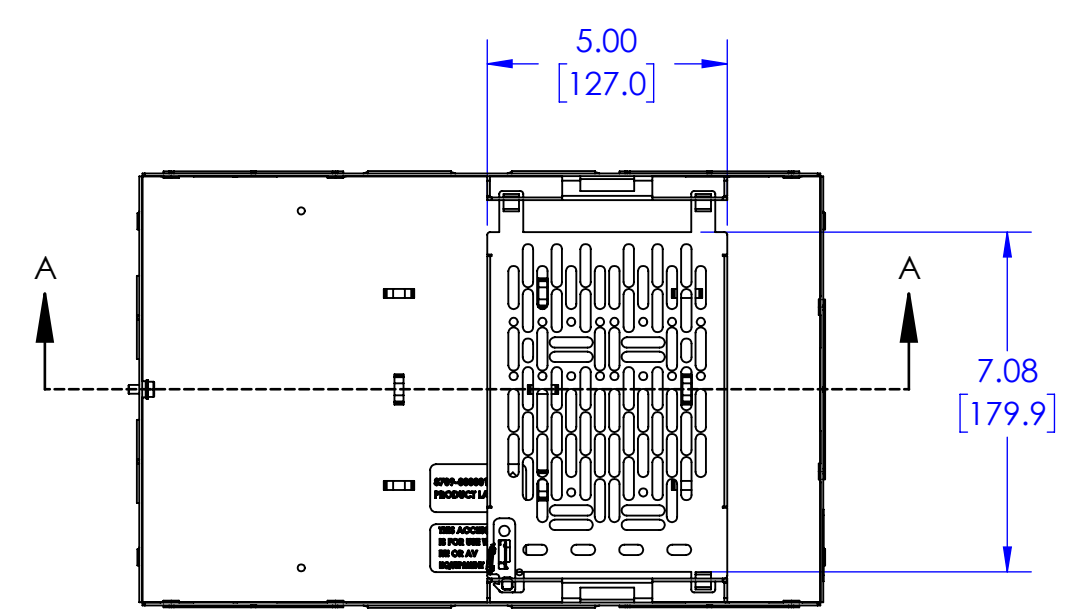
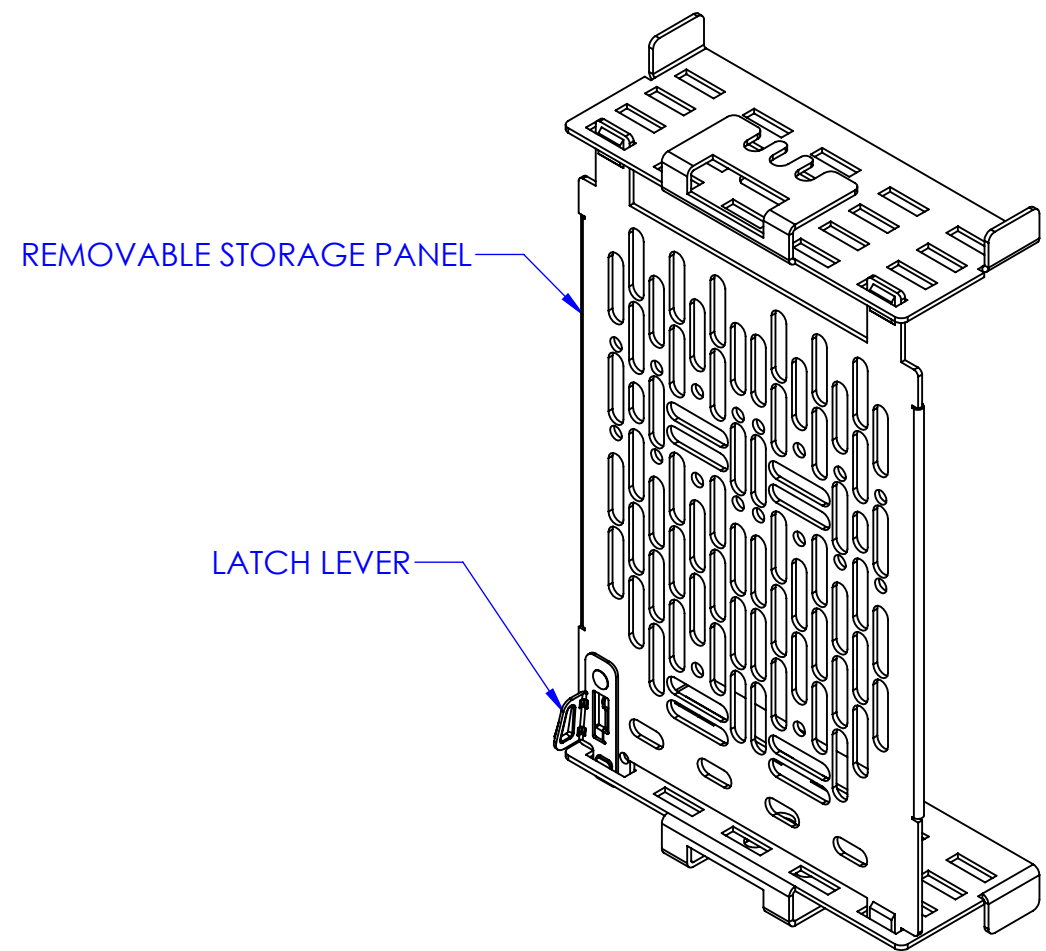
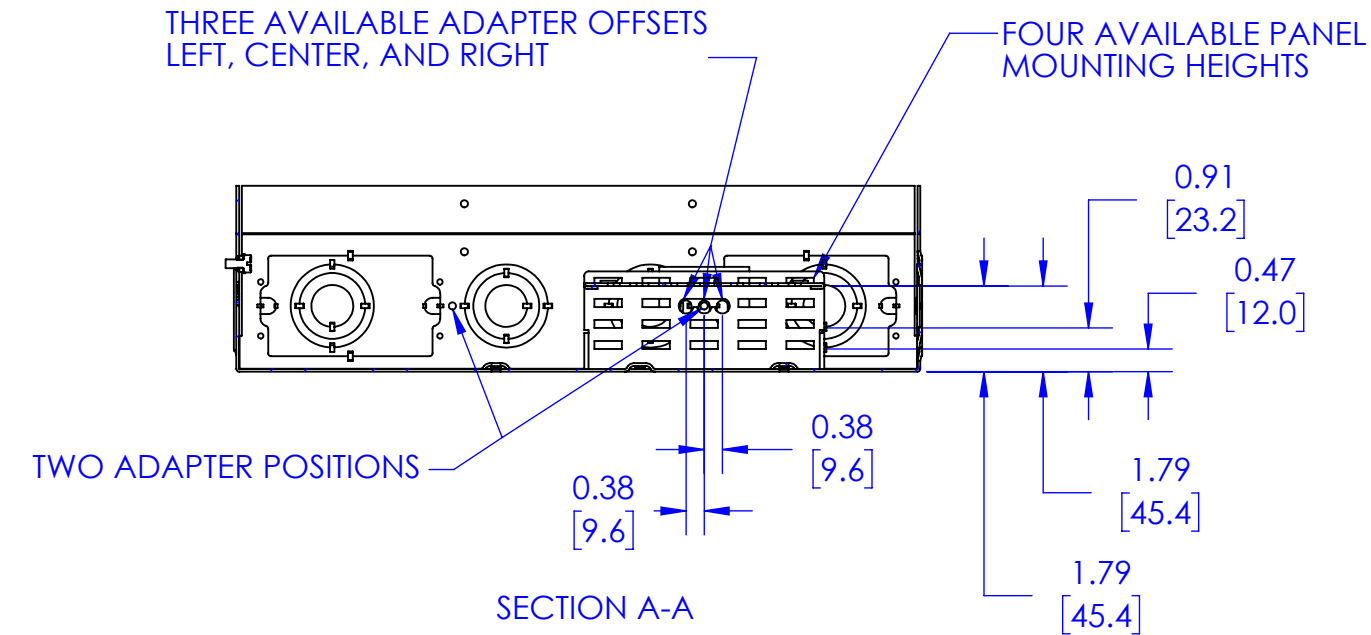


NOTE:
PAC525 ENCLOSURE SHOWN FOR REFERENCE, NOT INCLUDED



THE INFORMATION AND DESIGNS CONTAINED IN THIS DRAWING ARE CONFIDENTIAL AND THE PROPRIETARY PROPERTY OF LEGRAND | AV. NEITHER THIS DESIGN NOR ANY INFORMATION CONTAINED IN THIS DRAWING MAY BE REPRODUCED OR DISCLOSED TO OTHERS WITHOUT THE EXPRESS WRITTEN CONSENT OF LEGRAND | AV.

CAD GENERATED DRAWING, DO NOT MANUALLY UPDATE.					6436 CITY WEST PKWY EDEN PRAIRIE, MN, 55344 PHONE: 866-977-3901 FAX: 877-894-6918	
DRAWN BY	HEF	9/30/2019	DESCRIPTION			
ENG APPROVAL			SM LL BACKPLANE FOR 16X9 PAC INWALL BOX			
MFG APPROVAL			MODEL NO.			
QA APPROVAL			PACL1			
SHEET 1 OF 2		SCALE	SIZE	DWG. NO.	REV.	
		1:4	B	TECH-001015	00	

RETROFIT DRILL TEMPLATE
PRINT 1:1 ON 11X17 PAPER

